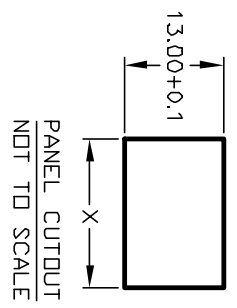
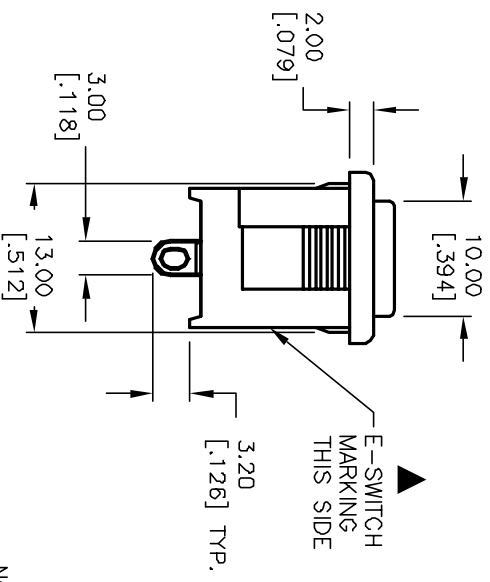
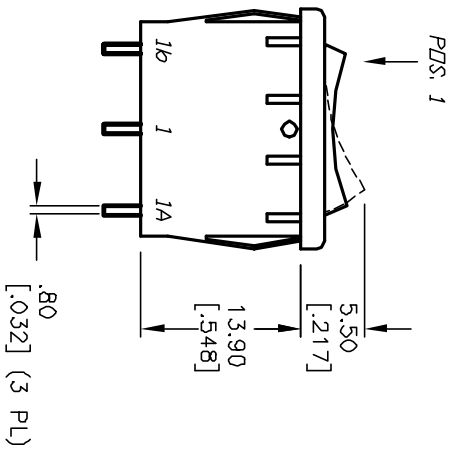
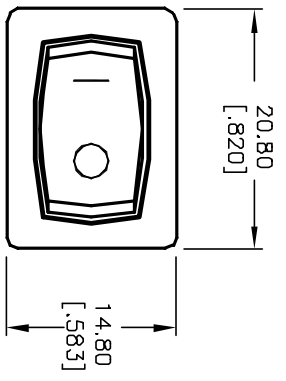
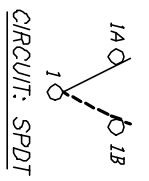


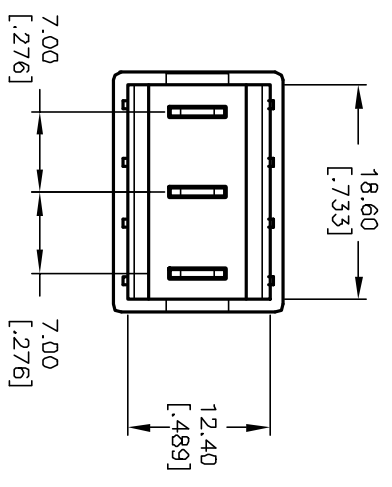
PANEL THICKNESS	X dimension
0.75-1.25 [0.30-.049]	19.2-.01 [7.56]
1.25-2.0 [0.49-.079]	19.4-.01 [7.64]
2.0-3.0 [0.79-.118]	19.8-.01 [7.80]



SWITCH FUNCTION		
POS. 1	POS. 2	POS. 3
<DN>	OFF	<DN>
1-1a	OPEN	1-1b



CIRCUIT: SPDT



- NOTES:
1. ALL DIMENSIONS IN MM [INCH]
 2. GENERAL TOLERANCE: X.X=±0.4 X.XX=±0.25
 3. TERMINAL NUMBERS FOR REF ONLY
 4. RATING: 15A @ 125VAC OR 6A @ 250VAC
 5. APPROVALS: UL, CSA, NEMKO, SEMKO, FEMKO, DEMKO
 6. MATERIALS: TERMINALS: Silver Plated Copper Alloy CONTACTS: Coin Silver, Silver Plated
 7. ELECTRIC LIFE: 10,000 cycles
 8. CONTACT RESISTANCE: <20 Mega-OHM
 9. INSULATION RESISTANCE: >1000 Mega-OHM
 10. DIELECTRIC STRENGTH: >1500 V 1 minute >3000 V between poles

E-SWITCH®

REV.	ECN No.	DESCRIPTION	DATE	CHKD	SCALE	DATE	DR	DWG	REV
B	12061	REVISED PART DESCRIPTION	4/16/02	CJB	1.5:1	1/15/99	MM	M306206	B
THE INFORMATION CONTAINED IN THIS DOCUMENT IS PROPRIETARY TO E-SWITCH AND IS NOT TO BE COPIED OR TRANSFERRED									